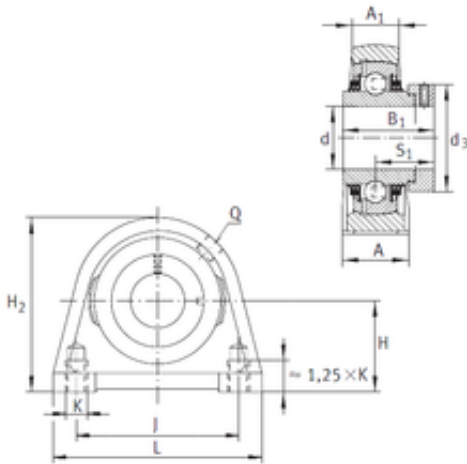




INA TSHE25-N bearing units

Bearing No. TSHE25-N



TSHE25-N Bearing 2D drawings and 3D CAD models

Bore Diameter	25 mm
d	25 mm
Thread (Q)	Rp1/8
Thread (K)	M10
d3	37,5 mm
A	36 mm
A1	21 mm
B1	44,5 mm
H	36,5 mm
H2	70 mm
J	50,8 mm
L	70 mm
S	27 mm
Weight	0,66 Kg
Basic dynamic load rating (C)	14 kN
Category	Pillow Block Bearings
Inventory	0.0
Manufacturer Name	SCHAEFFLER GROUP
Minimum Buy Quantity	N/A
Weight / Kilogram	0.713
Product Group	M06110
Number of Mounting Holes	2
Mounting Method	Eccentric Collar
Housing Style	2 Bolt Tap Base Pillow Block
Rolling Element	Ball Bearing
Housing Material	Cast Iron



NTN BEARING MANUFACTURING DE MEXICO,S...

Expansion / Non-expansion	Non-expansion
Mounting Bolts	10 Millimeter
Relubricatable	Yes
Insert Part Number	GE25KPPB3
Seals	Double Triply
Housing Configuration	1 Piece Solid
Inch - Metric	Metric
Other Features	Single Row Radial Metric With Set Screw
Long Description	2 Bolt Tap Base Pillow Block; 25MM Bore; 36.5MM Base to Center Height; Eccentric Collar Mount; Ball Bearing; Relubricatable; Cast Iron; Double Triply; Non-expansion
Category	Pillow Block
UNSPSC	31171511
Harmonized Tariff Code	8483.20.40.40
Noun	Bearing
Keyword String	Pillow Block
Manufacturer URL	http://www.ina.com
Manufacturer Item Number	TSHE25
Weight / LBS	1.46
Length Thru Bore	1.748 Inch 44.4 Millimeter
Bore	0.984 Inch 25 Millimeter
Nominal Bolt Center to Center	2 Inch 52 Millimeter
Base to Center Height	1.437 Inch 36.5 Millimeter
Actual Bolt Center to Center	2 Inch 52Millimeter