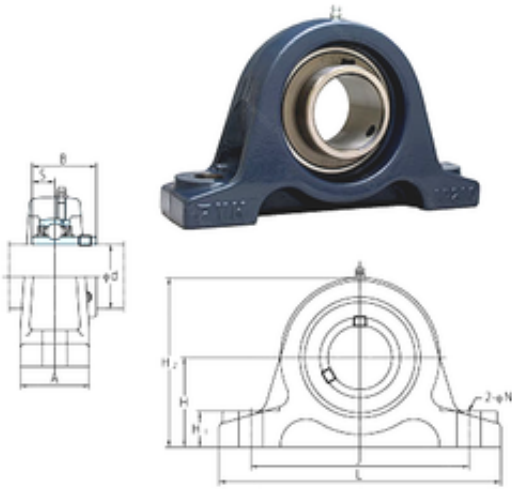




FYH UCIP313-40 bearing units

Bearing No. UCIP313-40



UCIP313-40 Bearing 2D drawings and 3D CAD models

| | |
|-------------------------------|---------|
| Bore Diameter | 63,5 mm |
| Width | 75 mm |
| d | 63,5 mm |
| A | 70 mm |
| B | 75 mm |
| H | 110 mm |
| H1 | 30 mm |
| H2 | 208 mm |
| J | 250 mm |
| L | 310 mm |
| N | 22 mm |
| S | 30 mm |
| Bolt (G) | M20 |
| Weight | 13,4 Kg |
| Basic dynamic load rating (C) | 92,7 kN |
| Basic static load rating (C0) | 59,9 kN |