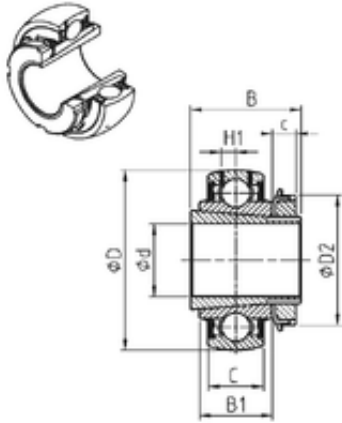




85 mm x 200 mm x 90 mm SNR UK319+H
deep groove ball bearings



Bearing No. UK319+H

Size	85x200x90 mm
Bore Diameter	85 mm
Outer Diameter	200 mm
Width	90 mm
d	85 mm
D	200 mm
B	90 mm
B1	66 mm
C	50 mm
c	19 mm
D2	125 mm
H1	16,7 mm
Weight	9,23 Kg
Basic dynamic load rating (C)	156 kN

UK319+H Bearing 2D drawings and 3D CAD models