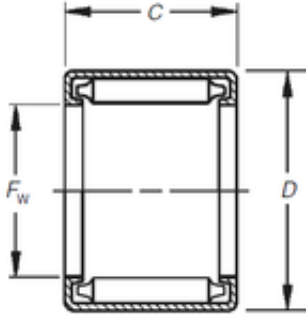




Timken B-810 needle roller bearings



Bearing No. B-810

Size	12.7x17.463x15.88 mm
Bore Diameter	12,7 mm
Outer Diameter	17,463 mm
Width	15,88 mm
Fw	12,7 mm
D	17,463 mm
C	15,88 mm
Weight	0,01 Kg
Basic dynamic load rating (C)	12,2 kN
Basic static load rating (C0)	21,34 kN
(Grease) Lubrication Speed	3600 r/min

B-810 Bearing 2D drawings and 3D CAD models