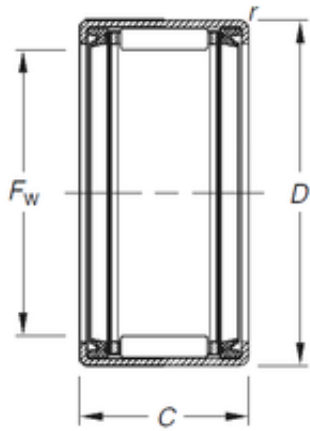




Timken JTT-810 needle roller bearings



Bearing No. JTT-810

Size	12.7x17.463x15.88 mm
Bore Diameter	12,7 mm
Outer Diameter	17,463 mm
Width	15,88 mm
Fw	12,7 mm
D	17,463 mm
C	15,88 mm
Weight	0,009 Kg
Basic dynamic load rating (C)	6,32 kN
Basic static load rating (C0)	7,92 kN

JTT-810 Bearing 2D drawings and 3D CAD models