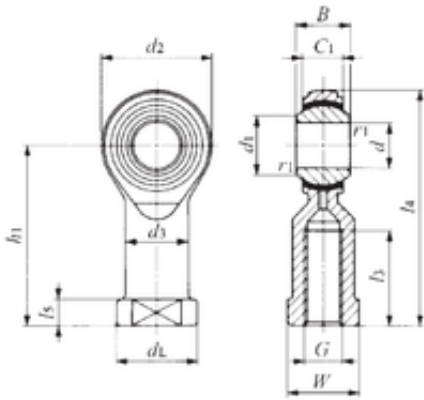




IKO PHS 20EC plain bearings



PHS 20EC Bearing 2D drawings and 3D CAD models

Bearing No. PHS 20EC

Bore Diameter	20 mm
d	20 mm
L4	100 mm
L5	10 mm
dL	34 mm
L3	40 mm
d1	24,4 mm
d2	46 mm
d3	27,5 mm
dk	34,925 mm
h1	77 mm
r1 min.	0,2 mm
B	25 mm
C1	18 mm
W	30 mm
Thread (G)	M20 × 1,5
Weight	0,38 Kg
Basic dynamic load rating (C)	61,6 kN