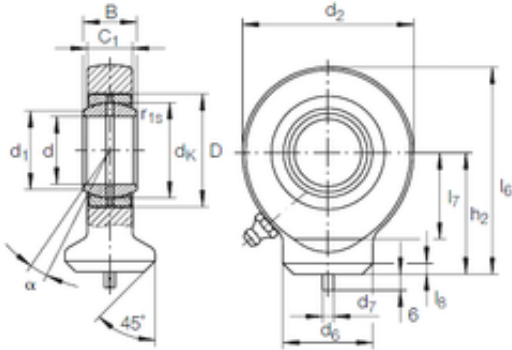




**80 mm x 120 mm x 55 mm INA GK 80 DO
plain bearings**



GK 80 DO Bearing 2D drawings and 3D CAD models

Bearing No. GK 80 DO

Size	80x120x55 mm
Bore Diameter	80 mm
Outer Diameter	120 mm
Width	55 mm
d	80 mm
D	120 mm
B	55 mm
d7	6 mm
d1	89,4 mm
d2	180 mm
d6	95 mm
dk	105 mm
h2	141 mm
l6 max.	231 mm
l7 min.	100 mm
l8	10 mm
r1 min.	1 mm
C1	47 mm
Angle	6 °
Weight	8,7 Kg
Basic dynamic load rating (C)	400 kN