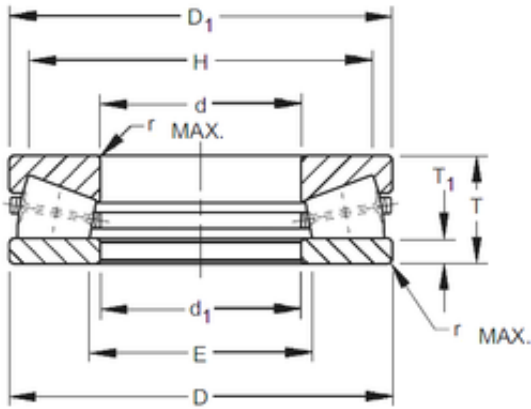




Timken R-2927-C thrust roller bearings

Bearing No. R-2927-C



R-2927-C Bearing 2D drawings and 3D CAD models

Size	254x508x107.95 mm
Bore Diameter	254 mm
Outer Diameter	508 mm
Width	107,95 mm
d	254 mm
D	508 mm
T	107,95 mm
r max	4,8 mm
T1	21,43 mm
d1	257,18 mm
D1	506,41 mm
E	285,8 mm
H	466,7 mm